

**Any-to-Any Connectivity,
 Aggregation, and Port
 Regeneration for Increased
 Network Visibility, Easier
 Tool Deployment, and
 Increased ROI on 10G Links**


Today's new business challenges require network and security professionals to monitor and analyze more links in greater detail throughout the network. At the same time, networks are growing more complex, carrying more services across the same cables, and requiring flexibility to accommodate ever-evolving compliance requirements. In order to meet growing performance and security demands, network monitoring tools must be accessible, easy to deploy, and allow business professionals to quickly zero in on the critical data they need.

VERSAsstream™ Data Access Switches helps solve emerging 10 Gigabit tool deployment problems by allowing companies to conveniently connect test and monitoring tools to any traffic on their 10G network. Not only does this provide access capabilities to leverage 10G tools throughout the enterprise, it allows multiple departments with different needs to share tools and network access points with remote and centralized control.


Data Filtering

Instead of tools attempting to keep up with high-speed aggregated traffic streams, the VS-1204-10G-F (with data filtering) provides the option of applying filters to the data to increase tool efficiency and eliminate port oversubscription. Line-rate hardware filtering on each port allows you to customize and streamline the amount and type of data each connected monitoring tool receives. Because they are receiving only traffic of interest, tools run faster, data is easier to work with, and issues are resolved quicker. Filters include IP and MAC ranges, VLAN, frame, port number, protocol type, even customizable offsets in the packet header. With proper uses of filtering, even 10G links can be easily monitored with 1G tools.

Aggregation (Many-to-Any)


Many-to-Any monitoring access aggregates network traffic and provides visibility for one or more monitoring tools into multiple network segments. Aggregate and reassemble full duplex conversations from one or more trunked links. Perfect for tools that don't support multiple monitoring interfaces or for redundant networks, EtherChannel, load balanced servers, and asymmetrically routed traffic.

Regeneration (Any-to-Many)


Any-to-Many configurations replicate copies of identical network traffic to provide multiple tools monitoring access to the same links. In addition to eliminating contention for scarce SPAN ports and test access points, multiple tools can be connected to the same link for redundancy, testing, or advanced monitoring applications.

Port Steering (Any-to-Any)


Any of the VS-1204-10G's four (4) ports can be configured as input (network) or output (monitoring) ports on the fly through easy to use command line interface (CLI). Any monitoring port can receive traffic from any of the other ports, eliminating the need for network managers to change complex network configurations or move tools around their network.

Reliable and Easy to Use

Unlike setting up filtering and aggregation on network switches, the VERSAsstream™ Data Access Switch is simple to deploy, and every unit comes with dual redundant power supplies to ensure monitoring uptime.

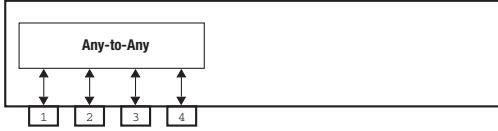
Benefits

- Easily share scarce SPAN ports and test access points without maintenance windows or approval
- Provide immediate network access for new compliance monitors
- Consolidate monitoring tools to reduce management expenses and lower tool costs
- Single point of deployment and remote management minimizes management expenses and reduces MTTR
- Deploy tools right away without impacting your production network
- Keep all your tools plugged in while troubleshooting the same link

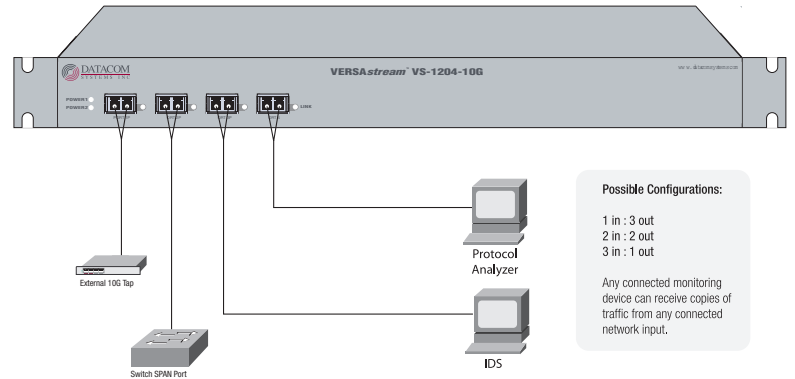
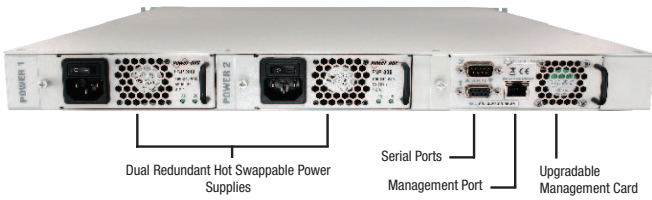
Features

- Regeneration - Send copies of traffic from SPAN ports or external taps to multiple connected tools to share data sources
- Aggregation - Combine multiple network links or channels into one stream for visibility into complete network conversations
- Port Steering - Any-to-Any connectivity solves tool deployment problems and eliminates the need to change network configurations
- Filtering - Line-rate hardware-based filtering can eliminate port oversubscription and customize data flow to each tool (-F Model)
- Increased visibility without introducing a point of failure on the network
- Stays invisible to the network for enhanced security
- Compatible with all major manufacturers' monitoring systems and analyzers
- Hot Swappable Dual Redundant Load Balanced Power ensures monitoring uptime

Internal Port Diagram



Rear View



Technical Specifications - VS-1204-10G

ANY-TO-ANY PORTS

Four (4) XFP

MANAGEMENT PORT (FRONT)

RJ45 @ 100Mbs Full-Duplex

SERIAL PORTS (REAR)

One (1) DB9F and One (1) DB9M

POWER REQUIREMENTS

Hot Swappable Dual Redundant Power Supplies (AC or DC)

AC: 100-240VAC, 50-60 Hz, 0.4A-0.2A

DC: 40.5-72.0VDC, 10.0-5.0A

CERTIFICATIONS

CE

Fully RoHS Compliant

PHYSICAL DIMENSIONS (HXWXD)

1.75 x 19.00 x 21.00 in (4.45 x 48.26 x 53.35 cm)

WEIGHT

13.5 lbs (6.12 kgs)

ENVIRONMENTAL

Operating Temperature: 32° to 104°F (0° to 40°C)

Storage Temperature: -22° to 149°F (-30° to 65°C)

Humidity: 5 to 90% non-condensing

WARRANTY

Standard Model: Two (2) Year Limited Warranty

Filter Model: One (1) Year Limited Warranty -Support Contract Required

ORDER INFORMATION

Product

Description

VS-1204-10G

VERSAsStream™ 4-Port 10 Gigabit Data Access Switch (4 - XFP Any-to-Any Ports)

VS-1204-10G-F

VERSAsStream™ 4-Port 10 Gigabit Data Access Switch with Data Filtering (4 - XFP Any-to-Any Ports)

AC or DC

AC or DC Power

XFP

(Optional Additional Purchase)

XFP-SR: 850nm; multi-mode (50 or 62.5 micron)

XFP-LR: 1310nm; single mode (9 micron)

XFP-ER: 1550nm; single mode (9 micron)

S-FVS-1204-10G-F

One (1) Year Hardware and Software Support



universal power

