



1G Copper Tap

CTP-1000 Link Aggregation Tap



Visibility for Single or Dual Interface Monitoring Solutions

CTP-1000

The CTP-1000 tap can be installed between any two network devices, such as firewalls, routers, or switches, and allow traffic to flow between these network points. The tap makes a copy of the data flowing through it, and provides the packet copy to network appliances or tools for application, security or recording purposes.

Aggregation Mode

The CTP-1000 can combine the two full duplex network streams of data together into a single monitoring output. Aggregation mode allows a tool with a single port to monitor full duplex communication on a network link. In Aggregation mode, the tap creates identical copies of the aggregate data on the network tapped network link. This mode allows 2 tools to see the same data. Primary and secondary tools are often used with Aggregation mode, since they both see the same network packets.

Non-Aggregation Mode

Non-aggregating mode allows the port to run at full line rate, without dropping traffic. This option is a popular choice when security or packet analyzers need to see every packet. Analyzers and probes connected to 1 Gigabit links can typically only receive a maximum of 1 Gigabit per port. In cases where you want to receive at line rates on a network link, use the CTP-1000 in non-aggregating mode, but remember you need to use 2 ports on your monitoring device to watch both sides of the network link.

Regeneration

In Aggregation mode, the tap generates 2 copies of identical network traffic to provide multiple tools monitoring access to the same link. In addition to eliminating contention for access to critical links, multiple tools can be connected to the same link for redundancy, testing, or advanced monitoring applications.

Reliable and Easy to Use

Unlike setting up operating systems and binding NICs, the CTP-1000 is simple to deploy, and every unit comes with dual redundant power supplies to ensure monitoring uptime. A convenient switch on the back of the device allows users to choose between Aggregation and Non-Aggregation modes. After setting the aggregation switch, the device is plug and play. There is no other configuration or setup necessary for this easy to use, reliable device.

Security

The CTP-1000 does not have MAC addresses so it is essentially invisible to the network. Use the CTP-1000 when you want to collect and capture packets for a security or storage application. The copy of traffic into the security or monitoring tool is one-way, so the CTP-1000 won't become a point of access for hackers, nor can anyone get to the security probe or recording device through the tap (since the traffic is one way).

Highlights

- View entire full-duplex conversations using single-interface monitoring tools
- Decrease reliance on switch resources for network management visibility. Eliminate SPAN port contention, oversubscription, and configuration errors
- Deploy tools immediately without impacting your production network
- Easily share tap ports for improved monitoring without maintenance windows
- Single point of deployment and remote management minimizes management expenses and MTTR
- Easy to deploy- switch selects Aggregation/Non-aggregation mode

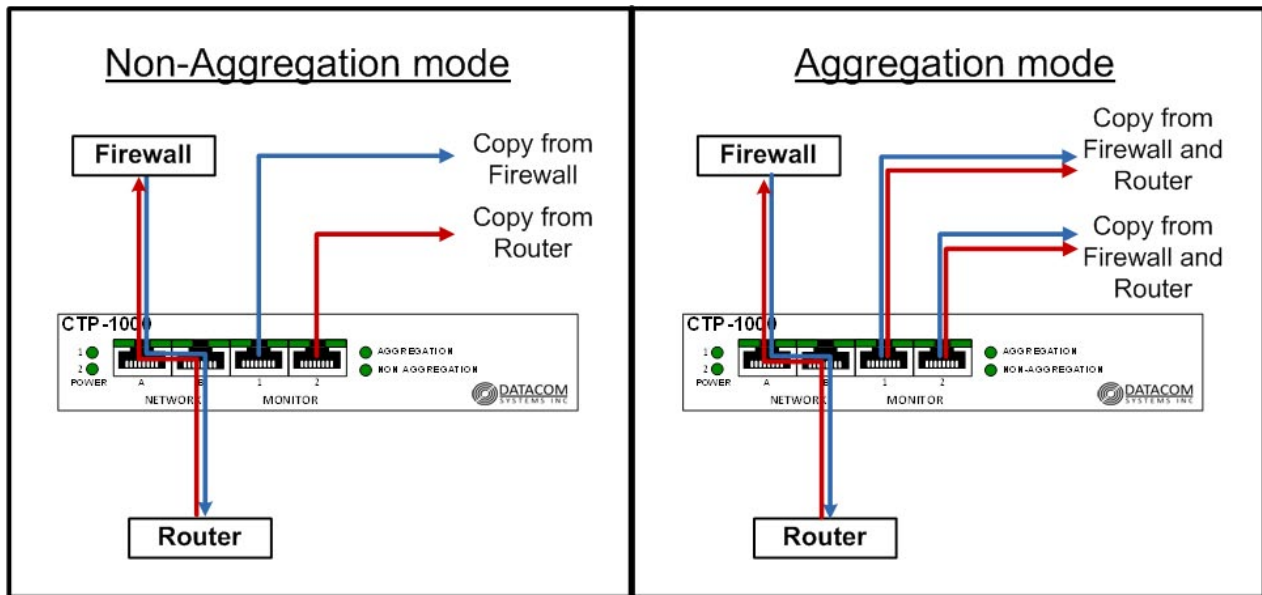
Features

- Aggregation - Combine multiple network links or channels into one stream for visibility into complete network conversations
- Regeneration - Send copies of traffic from the tap to multiple connected tools to share data sources
- Power over Ethernet (POE) supported on Network Ports
- Supports packet sizes up to 10240 bytes
- No configuration or management settings
- Auto Negotiate Settings for 10/100/1000Mbps
- Stays invisible to the network for enhanced security
- Dual Redundant Power ensures monitoring uptime.



1G Copper Tap

10/100/1000 Link Aggregation Tap CTP-1000



Technical Specifications

PORTS

Network: One (1) 10/100/1000 Network Tap (RJ45)
Monitoring: Two (2) 10/100/1000 Any-to-Any Ports (RJ45)

POWER REQUIREMENTS

Two (2) External AC Adapters (included)
Input: 100-240 VAC, 50-60Hz, Max. 50mA at 120VAC

CERTIFICATIONS

CE, RoHS, CAN ICES-3 (A)/NMB-3(A), FCC Part 15 Class B

PHYSICAL DIMENSIONS (H x W x D)

1.07 x 5.00 x 5.00 in (2.7 x 12.72 x 12.7 cm)

WEIGHT

12 oz. (0.34 kgs)

ENVIRONMENT

Operating Temperature: 32° to 104°F (0° to 40°C)
Storage Temperature: -22° to 149°F (-30° to 65°C)
Humidity: 5 to 90% non-condensing
< 25 BTU/h

WARRANTY

Two (2) Year Hardware Warranty included
Advanced Replacement-Next Day, 3rd Business Day, and return to factory options available

ORDER INFORMATION

Product

CTP-1000

Description

10/100/1000 Link Aggregation Tap with 2 - 10/100/1000 Monitoring Ports

Redundant AC power supplies, region specific power cables and mounting bracket (for use with optional RMC rack mounts)

Optional Equipment

RMC-3

3-TAP 1U Rack Mount Chassis

RMC-12-3

12-TAP 4U Rack Mount Chassis

RPS-12-5-AC (or -DC)

12-TAP Dual Redundant Rack Mountable Power Supply Unit (specify AC or DC)

Find out more. Visit
www.datacomsystems.com